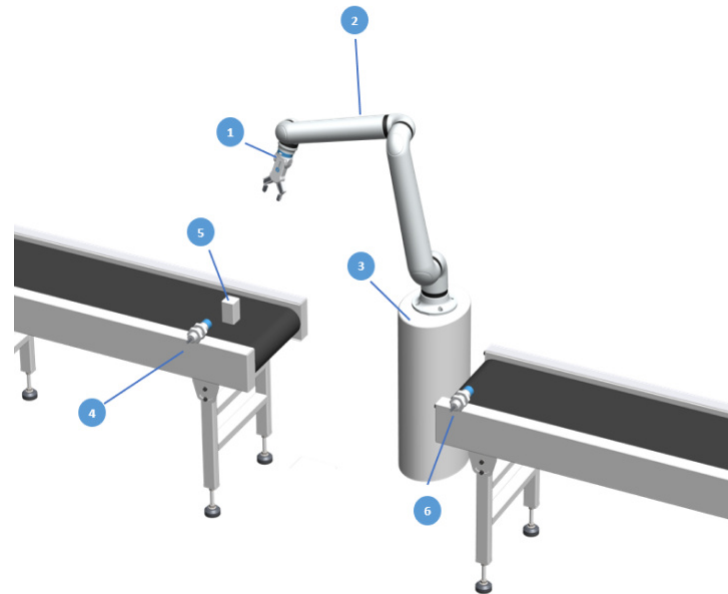


DATASHEET

D:PLOY - TRANSFERRING APPLICATION

v1.0.800

Transferring Application



1/ a.	Grippers	2FG7	2FG14	2FGP20	3FG15	3FG25	MG10	RG2	RG6
		SG-a-H/SG-b-H		VG10	VGC10	VGP20	Gecko Gripper	G2FG	G2FG
1/ b.	Tool mounting	Quick Changer			Angle Bracket 45°		Angle Bracket 90°		
2.	Robot brands	ABB		Denso	Doosan		Elite	FANUC	FANUC CRX
		Schneider	Techman	UR		Jaka	Omron TM	Kawasaki	Yaskawa
3.	Robot mounting	Can be mounted at any height					Can be tilted 0°, 30°, 45° or 90°		
4.	Infeed type	Conveyor belt or Turn table			Single part can be picked at once, Infeed sensor device need to be added to the cell (no twin signal configuration)		The infeed can be at any angle (tilted or rotated relative to the robot), pick-up direction can be adjusted if needed in the expert settings		
5.	Part size/ weight/ type	Any size (that the gripper can handle)			Any weight (that gripper and robot can handle)		Box like or Cylindrical (both may not be available on a given gripper)		

6. Outfeed type	Conveyor belt or Turn table	Single part can be placed at once, Outfeed sensor device need to be added to the cell (no twin signal configuration)	The outfeed can be at any angle (tilted or rotated relative to the robot), place-down direction can be adjusted if needed in the expert settings
------------------------	------------------------------------	--	---

Additional information

1a. Grippers

Grippers can be customized with any OnRobot accessory or custom fingertip/vacuum accessory.

		Finger grippers								
		2FGP20	2FG7	2FG14	3FG15	3FG15	RG2	RG6	G2FG	G3FG
Can grip - single part	Cuboid	✓	✓	✓	✗	✗	✓	✓	✓	✗
	Cylindrical	✓	✓ *	✓	✓	✓	✓ *	✓ *	✓	✓
Can grip - multiple parts	Cuboid	✓	✓	✓	✗	✗	✓	✓	✓	✗

		Vacuum grippers				Special grippers		
		VG10	VGC10	VGP20	GVG	Gecko Gripper	MG10	SG
Can grip - single part	Cuboid	✓	✓	✓	✓	✓	✓	✓
	Cylindrical	✓	✓	✓	✓	✓	✓	✓
Can grip - multiple parts	Cuboid	✓	✓	✓	✓	✗	✗	✗

* With special fingertips.

1b. Tool mounting

Dual Quick Changer and HEX-E/H QC are not supported.

2. Robot brands

Supported robot models and controllers

Robot Type	ABB	Denso	Doosan	Elite	FANUC	FANUC CRX	Jaka
Robot Model	CRB 1100 -4/0.58 CRB 15000 -5/0.95 CRB 15000 -10/1.52 CRB 15000 -12/1.27 IRB 1100 -4/0.58 IRB 1100 -4/0.47 IRB 120 IRB 1200 -5/0.9 IRB 1200 -7/0.7 IRB 1300 -7/1.4 IRB 1300 -10/1.15 IRB 1300 -11/0.9 IRB 1300 -12/1.4 IRB 1600 -6/1.2 IRB 1600 -6/1.45 IRB 1600 -10/1.2 IRB 1600- 10/1.45	VM-6083 VM-60B1 VP-6242 VS050A3 VS087A4 VP-5243 VS-050-S2 VS-087A4 VS-6577 VS-6556 VS-087	A0509 A0509s A0912 A0912s H2017 H2515 M0609 M0617 M1013 M1509 E0509	CS63 CS66 CS612 CS620 CS625	CR-7iA CR-7iA/L CR-14iA/L CR-15iA CR-35iB LR Mate 200iD LR Mate 200iD/4S LR Mate 200iD/7L LR Mate 200iD/14L	CRX-5iA CRX-10iA CRX-10iA/L CRX-20iA/ L CRX-25iA	Zu3 Zu3S Zu5 Zu5S Zu7 Zu7S Zu12 Zu12S Zu18 Zu18S Zu20 Pro5 Pro12 Pro16
Robot Controller	IRC5 OmniCore	RC8	CS-03	EliRobot + EliServer CS-04	R-30iB R-30iB Plus R-30iB Mini Plus	R-30iB Mini Plus	Electrical cabinet

Robot Type	Kawasaki	Omron TM	Schneider	Techman	UR	Yaskawa
Robot Model	RS003N RS005L RS005N RS006L RS007N RS007L RS010L RS010N RS013N RS015X RS020N RS025N RS030N RS050N RS080N	TM5-700 TM5X-700 TM5-900 TM5X-900 TM5S TM5S-X TM7S TM7S-X TM12 TM12X TM12S TM12S-X TM14 TMX14 TM14S TM14S-X TM16 TM16X TM20 TM20X TM25S TM25S-X	RL03 RL05 RL07 RL12 RL18	TM5-700 TM5X-700 TM5-900 TM5X-900 TM5S TM5S-X TM7S TM7S-X TM12 TM12X TM12S TM12S-X TM14 TMX14 TM14S TM14S-X TM16 TM16X TM20 TM20X TM25S TM25S-X	UR3 UR3e UR5 UR5e UR10 UR10e UR16e UR20 UR30	GP4, GP4FGG GP7, GP7FGG GP8, GP8FGG, GP8FGG HS GP8L GP12, GP12FGG GP20 GP20HL GP25, GP25FGG GP25-12 GP35L HC10 HC10DT HC10DTP, HC10DTPF, HC10DTP Classic HC20 HC20DT HC20DTP HC30PL
Robot Controller	E01 E02 F01 F02 F60	TM	LXMRL03S000 LXMRL05S000 LXMRL05S000 LXMRL12S000 LXMRL12S000	TM	CB3 e-Series CB5.3+	YRC1000 YRC1000 Micro

3. Robot mounting

The robot cannot be facing downward (ceiling mounted).

4. Infeed type

An integrator must take care of the conveyor belt / turn table driving and timing (based on the Infeed sensor). The Infeed sensor can be any ultrasonic, laser/infra or any other type 24V digital sensor.

5. Part size/weight/type

Any shape that the gripper can handle can be used if the right bounding box is used.

- Minimum part size: The part size can be any size that the gripper can handle.
- Minimum part weight: The part weight can be any weight that the gripper and robot can handle.

6. Outfeed type

An integrator must take care of the conveyor belt / turn table driving and timing (based on the Outfeed sensor). The Outfeed sensor can be any ultrasonic, laser/infra or any other type 24V digital sensor.

Layout configuration

