



# DATASHEET

SANDER

v1.5

# 1. Datasheet

## 1.1. Sander v2

General Properties	Minimum	Typical	Maximum	Unit
Pad diameter	-	-	127 [5]	mm [inch]
Pad height	-	-	9.5 [0.37]	mm [inch]
Orbit size	-	-	5 [3/16]	mm [inch]
Rotation speed - RPM	1,000	-	10,000	RPM
Pad type (3M: 20353)	Clean Sanding Disc Pad			
Pad media type <sup>(1)</sup>	Hookit™			
Pad weight <sup>(1)</sup>	0.1 [0.22]			kg [lb]
Weight (with pad) <sup>(1)</sup>	1.2 [2.645]			kg [lb]
IP rating	IP54			
Dimensions (outer)	87 x 123 x 255 [3.42 x 4.84 x 10.03]			mm [inch]



### WARNING:

(1) Using a different pad weight for sanding, or a polishing pad that contains a polishing agent, can increase vibration.

Reducing the rotation speed helps to minimize vibration and may also be necessary to prevent the robot from entering a protective stop.

Operating Conditions	Minimum	Typical	Maximum	Unit
Sanding power	-	200	-	W
Operation voltage	External voltage	-	36	V
	External power	-	200	W
	Tool connector voltage	-	24	V
	Tool connector power	-	2.4	W
Operation temperature	0 [32]	-	50 [122]	°C [°F]
Internal temperature limit	-	-	100 [212]	°C [°F]
Noise level at 10,000 RPM (3,000 RPM)	-	74 (44)	-	[dB]
Calculated operation life	30 000	-	-	[Hours]

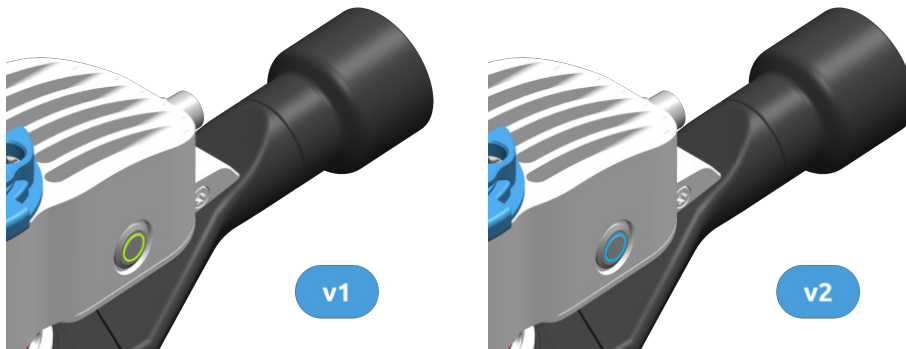
**Warranty:** 3 years or 3.000 hours, whichever comes first, as per the official Warranty terms set out in the Partner Agreement.

### Performance as Sander v1

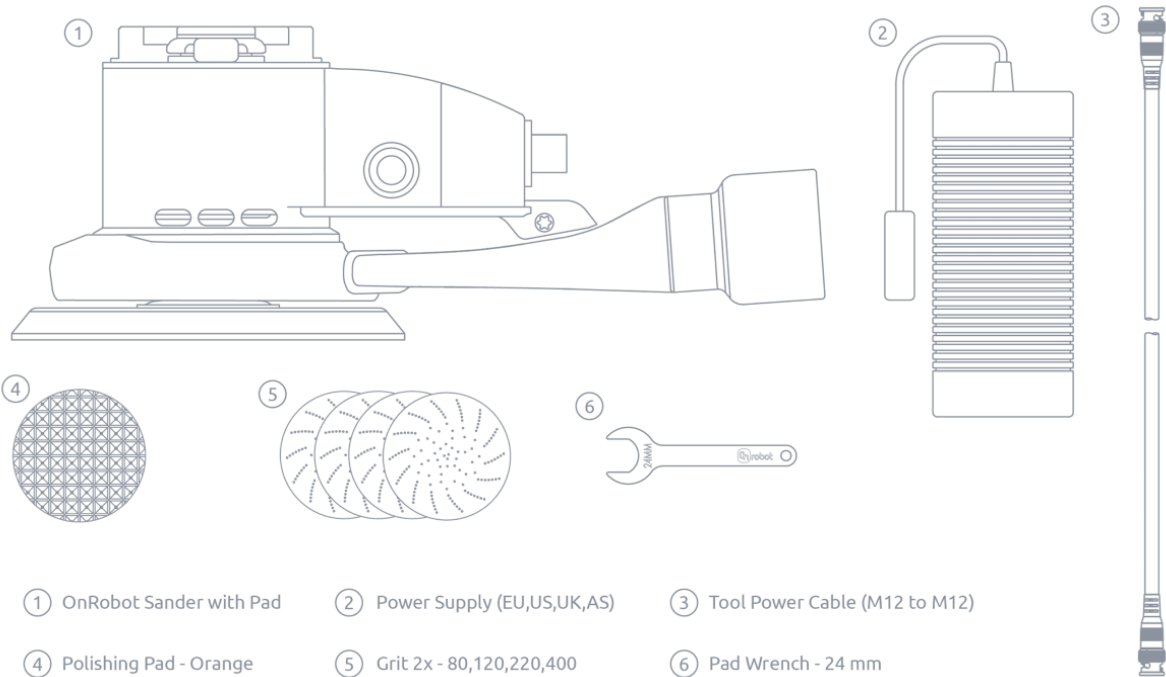
The Sander v2 is more powerful than the Sander v1, delivering 200 watts compared to the v1's 150 watts. This increased wattage enables faster, more efficient sanding, especially under heavy loads. However, if you're replacing a Sander v1 and want the v2 to perform like the v1, connect it to the original 30V power supply instead of the newer 36V model included with the v2.



A green light in the button indicates **V1** mode and a blue light indicates **V2** mode.

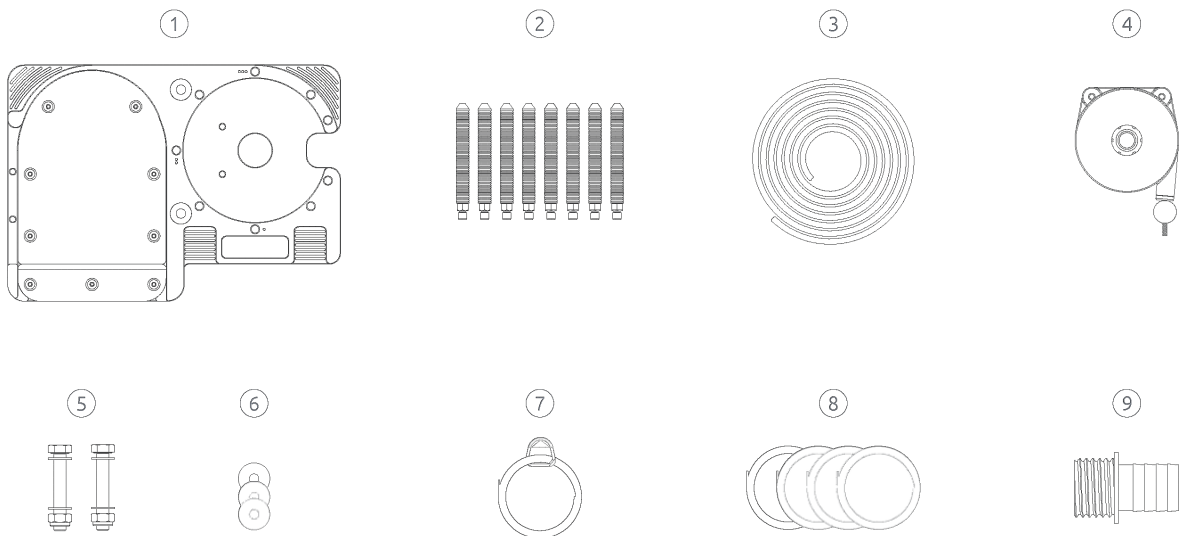


## 1.2. Sander box content



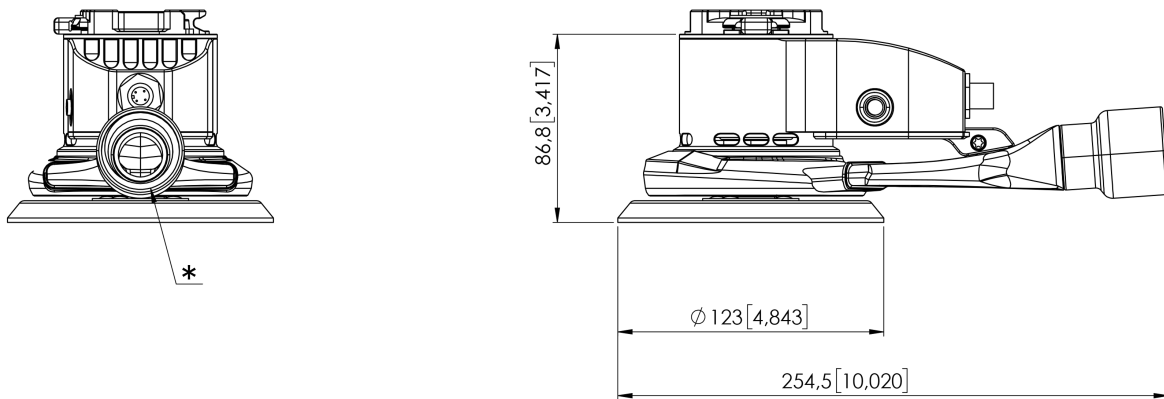
- ① OnRobot Sander with Pad
- ② Power Supply (EU,US,UK,AS)
- ③ Tool Power Cable (M12 to M12)
- ④ Polishing Pad - Orange
- ⑤ Grit 2x - 80,120,220,400
- ⑥ Pad Wrench - 24 mm

## Grit Changer Accessoty Kit content



- ① Grit Changer (with pre-assembled blade)
- ② Rods - for grit holder (needs assembly - 8 pcs)
- ③ Cable Sock - 5m
- ④ Tool Balancer
- ⑤ Mounting screws (2 pcs - M8x80)
- ⑥ Blade spacers (3pcs - h0.5 mm)
- ⑦ Cable Strap with ring
- ⑧ Cable Straps - 4 pcs
- ⑨ Vacuum hose adapter

### 1.3. Sander v2



\* For 1 inch adapter provided by OnRobot as a spare part PN 104802 or as part of the Grit changer accessory PN 105125.

All dimensions are in mm and [inches].

### 1.4. Sander v1

General Properties	Minimum	Typical	Maximum	Unit
Pad diameter	-	-	127 [5]	mm [inch]
Pad height	-	-	9.5 [0.37]	mm [inch]
Orbit size	-	-	5 [3/16]	mm [inch]
Rotation speed - RPM	1,000	-	10,000	RPM
Pad type (3M: 20353)	Clean Sanding Disc Pad			
Pad media type <sup>(1)</sup>	Hookit™			
Pad weight <sup>(1)</sup>	0.1 [0.22]			kg [lb]
Weight (with pad) <sup>(1)</sup>	1.2 [2.645]			kg [lb]
IP rating	IP54			
Dimensions (outer)	87 x 123 x 214 [3.42 x 4.84 x 8.42]			mm [inch]

(1)



**WARNING:**

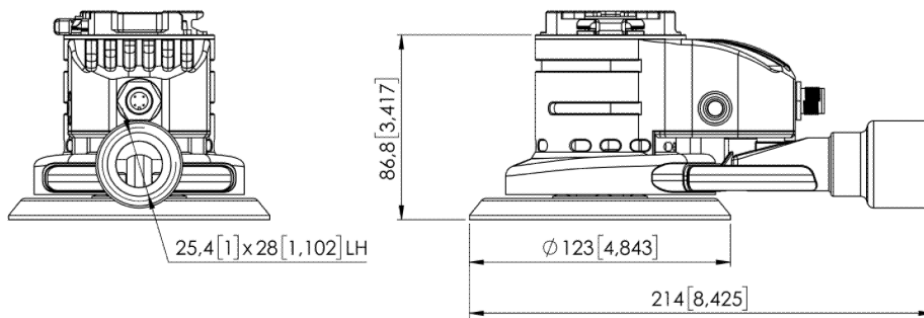
Using different pad weight may cause increased vibration. Increase the speed gradually upon pad replacement to ensure correct balancing.

Operating Conditions	Minimum	Typical	Maximum	Unit
Sanding power	-	150	-	W

Operating Conditions		Minimum	Typical	Maximum	Unit
Operation voltage	External voltage	-	30	-	V
	External power	-	150	-	W
	Tool connector voltage	-	24	-	V
	Tool connector power	-	2.4	-	W
Operation temperature		0 [32]	-	50 [122]	°C [°F]
Internal temperature limit		-	-	80 [176]	°C [°F]
Noise level at 10,000 RPM (3,000 RPM)		-	74 (44)	-	[dB]
Calculated operation life		30 000	-	-	[Hours]

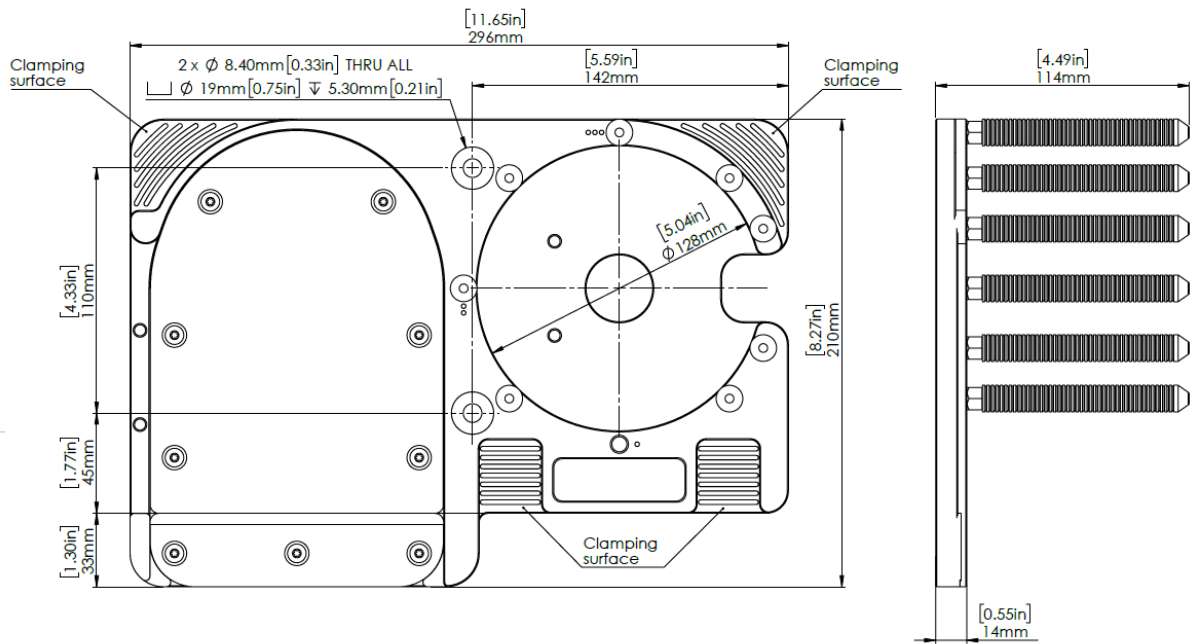
**Warranty:** 3 years or 3.000 hours, whichever comes first, as per the official Warranty terms set out in the Partner Agreement.

### 1.5. Sander v1



All dimensions are in mm and [inches].

## 1.6. Grit Changer



All dimensions are in mm and [inches].