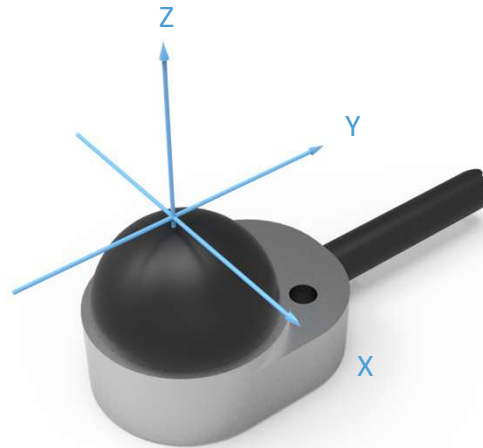


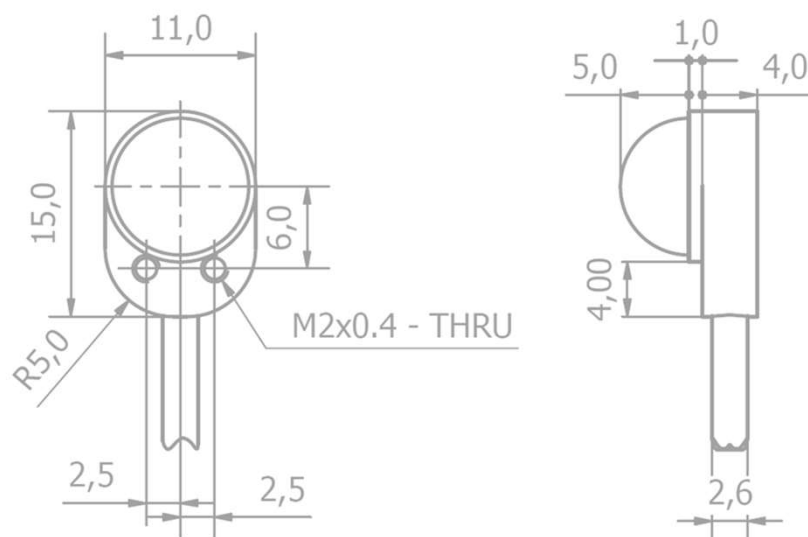
**KEY FEATURES**

- ✓ Multi axis force measurement
- ✓ High resolution
- ✓ Highly adaptable product design
- ✓ Dust and water proof (IP65)
- ✓ High overload range
- ✓ Mechanical shock resistant


**TECHNICAL SPECIFICATIONS**

Sensor Type	3 Axis Force Sensor		Units
Dimensions (H x W x L)	10 x 11 x 15		[mm]
Weight with 1m cable (without)	11.7 (1.5)		[g]
	<b>Fz Compression</b>	<b>Fxy</b>	
Nominal capacity (N.C.)	10	± 2.5	[N]
Typical deformation	1.1	± 1	[mm]
Single axis overload	300 %	200 %	-
Full scale nonlinearity	2 %	5 %	-
Resolution	2.5	± 2.5	[mN]
Single axis deformation at N.C.	0.8	± 1	[mm]
Crosstalk (typical)	< 5 %	-	-
Hysteresis (measured on Fz axis, typical)	< 2 %	-	-
Working temperature range	- 40 / +80		[°C]
Power requirement	0.24		[w]

The semi-spherical sensors are only calibrated in z+ direction  
 Parameters were measured at room temperature

**MECHANICAL DIMENSIONS**

**INTERFACE TYPES**

USB	CAN	UART
Maximum sampling frequency 1000 Hz		
Supported systems Windows and Linux		